



BBS/MKG

BALL VALVE WITH THREADED PORTS

VERSION A
DN 32-50 | PN 25

FULL BORE

INFORMATION

Ball Valve with female threads

/// The lever is included

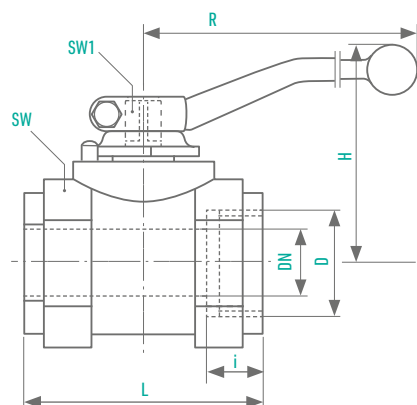
MATERIALS

Body	Grey cast iron
Fittings	Steel
Ball	Stainless steel
Sealings	NBR
O-Rings	FPM
Stem	Stainless steel
Stem retainer	Brass

OPTIONS

/// **Locking device**
(BBS/MKG Version A-L)
Surcharge: 23,00 €

/// Special designs on request



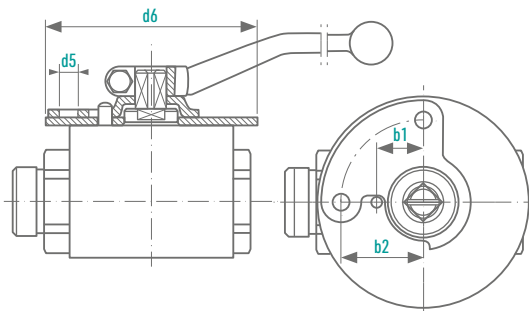
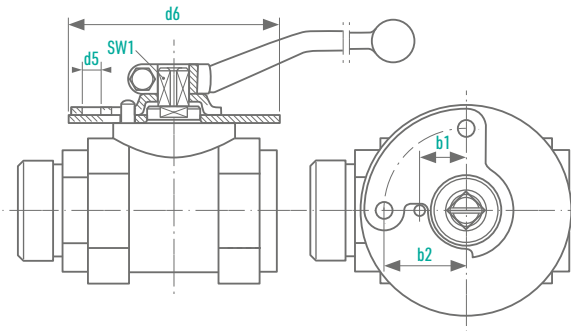
7 BSP female thread
DIN ISO 228/1

DN [mm]	OD Pipe [mm]	PN [bar]	D [mm]	i [mm]	L [mm]	SW [mm]	H [mm]	R [mm]	SW1 [mm]	Weight [kg]	Order Number
32	-	25	G 1 1/4	21	110	70	110	205	16	2,5	0044300
40	-	25	G 1 1/2	23	120	80	115	205	16	3,2	0044301
50	-	25	G 2	24	140	100	125	205	16	5,2	0044302

OPTIONS

LOCKING DEVICE, OPTIONAL (VERSION -L)

Subject to surcharge



Models	DN [mm]	b1	b2	d5	d6
KMG KHG MKG ENG	4	12	23	7,5	60
	6	12	23	7,5	60
	8	12	23	7,5	60
	10	13,5	23	7,5	65
	12	17,5	31	7	80
	16	17,5	31	7	80
	20	17,5	31	7	80
	25	17,5	31	7	80
	32	24	41	7	100
	40	24	41	7	100
50	24	41	7	100	

Connection types
2,3,7,8, 40

BAUREIHEN	DN [mm]	b1	b2	d5	d6
BMG BHG EBG	4	12	23	7,5	60
	6	12	23	7,5	60
	8	12	23	7,5	60
	10	13,5	23	7,5	65
	12	17,5	31	7	80
	16	17,5	31	7	80
	20	17,5	31	7	80
25	17,5	31	7	80	

Connection types
2,3,7,8,40