

BBS/MKG

BALL VALVE WITH
THREADED PORTS

VERSION **B**
DN 32-50 | PN 25

FULL BORE

INFORMATION

Ball Valve with female threads

/// The lever is included

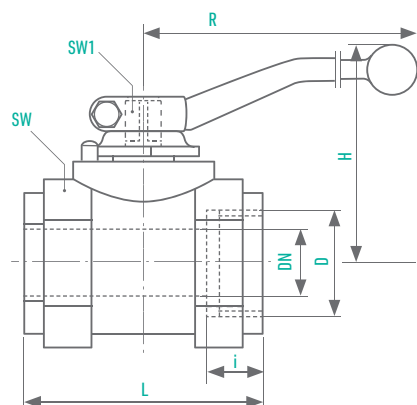
MATERIALS

| | |
|----------------------|---|
| Body | DN 32, 40: Grey cast iron DN 40: Steel |
| Fittings | Steel |
| Ball | Stainless steel |
| Sealings | PTFE |
| O-Rings | FPM |
| Stem | Stainless steel |
| Stem retainer | Brass |

OPTIONS

/// **Locking device**
(BBS/MKG Version B-L)
Surcharge: 23,00 €

/// Special designs on request



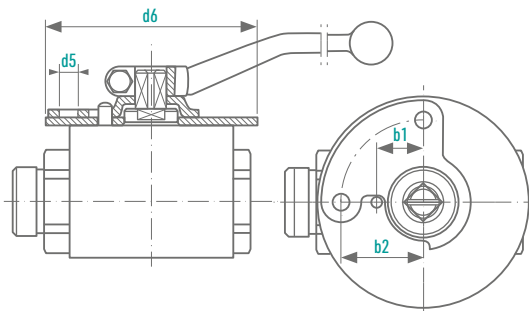
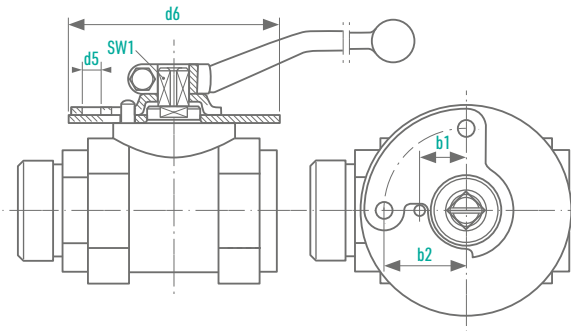
7 BSP female thread DIN ISO 228/1

| DN [mm] | OD Pipe [mm] | PN [bar] | D [mm] | i [mm] | L [mm] | SW [mm] | H [mm] | R [mm] | SW1 [mm] | Weight [kg] | Order Number |
|------------|-----------------|-------------|-----------|-----------|-----------|------------|-----------|-----------|-------------|----------------|-----------------|
| 32 | - | 25 | G 1 1/4 | 21 | 110 | 70 | 110 | 205 | 16 | 2,5 | 0044600 |
| 40 | - | 25 | G 1 1/2 | 23 | 120 | 80 | 115 | 205 | 16 | 3,2 | 0044601 |
| 50 | - | 25 | G 2 | 24 | 140 | 100 | 125 | 205 | 16 | 5,2 | 0044602 |

OPTIONS

LOCKING DEVICE, OPTIONAL (VERSION -L)

Subject to surcharge



| Models | DN [mm] | b1 | b2 | d5 | d6 |
|---|---------|------|----|-----|-----|
| KMG KHG MKG ENG | 4 | 12 | 23 | 7,5 | 60 |
| | 6 | 12 | 23 | 7,5 | 60 |
| | 8 | 12 | 23 | 7,5 | 60 |
| | 10 | 13,5 | 23 | 7,5 | 65 |
| | 12 | 17,5 | 31 | 7 | 80 |
| | 16 | 17,5 | 31 | 7 | 80 |
| | 20 | 17,5 | 31 | 7 | 80 |
| | 25 | 17,5 | 31 | 7 | 80 |
| | 32 | 24 | 41 | 7 | 100 |
| | 40 | 24 | 41 | 7 | 100 |
| 50 | 24 | 41 | 7 | 100 | |
| Connection types 2,3,7,8, 40 | | | | | |

| BAUREIHEN | DN [mm] | b1 | b2 | d5 | d6 |
|--|---------|------|----|-----|----|
| BMG BHG EBG | 4 | 12 | 23 | 7,5 | 60 |
| | 6 | 12 | 23 | 7,5 | 60 |
| | 8 | 12 | 23 | 7,5 | 60 |
| | 10 | 13,5 | 23 | 7,5 | 65 |
| | 12 | 17,5 | 31 | 7 | 80 |
| | 16 | 17,5 | 31 | 7 | 80 |
| 20 | 17,5 | 31 | 7 | 80 | |
| 25 | 17,5 | 31 | 7 | 80 | |
| Connection types 2,3,7,8,40 | | | | | |