



# BBS/MKG

BALL VALVE WITH  
THREADED PORTS

VERSION **E**  
DN 32-50 | PN 315

FULL BORE

## INFORMATION

### Ball Valve with female threads

/// CE marking

/// Suitable for pastes

/// Mounting holes are included

/// The lever is included

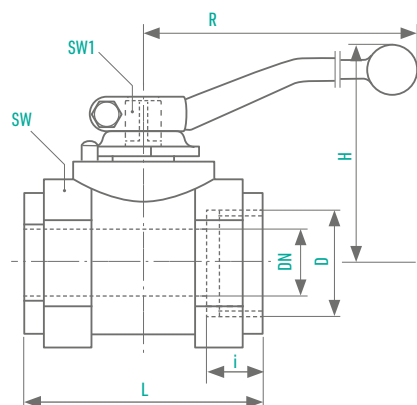
## MATERIALS

Body	Steel
Fittings	Steel
Ball	Steel, hardened
Sealings	Steel
O-Rings	FPM
Stem	Stainless steel
Stem retainer	Stainless steel

## OPTIONS

/// Locking device  
(BBS/MKG Version E-L)  
Surcharge: 23,00 €

/// Special designs on request



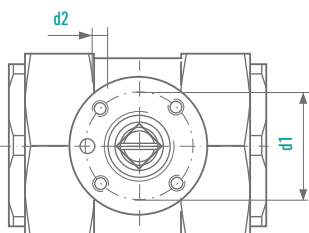
### 7 BSP female thread DIN ISO 228/1

DN [mm]	OD Pipe [mm]	PN [bar]	D [mm]	i [mm]	L [mm]	SW [mm]	H [mm]	R [mm]	SW 1 [mm]	Weight [kg]	Order Number
32	-	315	6 1 1/4	21	110	70	115	300	16	3,0	0045200
40	-	315	6 1 1/2	23	120	80	120	300	16	4,0	0045201
50	-	315	G 2	24	140	100	130	300	16	6,0	0045202



### 8 NPT female thread ANSI/ASME B 1.20.1

DN [mm]	OD Pipe [mm]	PN [bar]	D [mm]	i [mm]	L [mm]	SW [mm]	H [mm]	R [mm]	SW 1 [mm]	Weight [kg]	Order Number
32	-	315	NPT 1 1/4	21	110	70	115	300	16	3,0	0045203
40	-	315	NPT 1 1/2	23	120	80	120	300	16	4,0	0045204
50	-	315	NPT 2	24	140	100	130	300	16	6,0	0045205

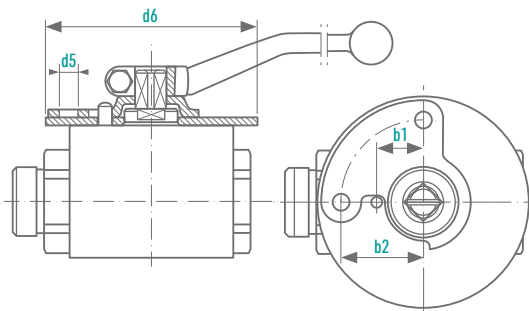
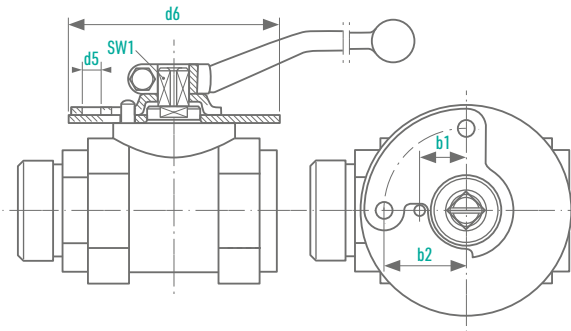


Mounting holes:  
See Data Sheet: „OPTIONS“

# OPTIONS

## LOCKING DEVICE, OPTIONAL (VERSION -L)

Subject to surcharge



Models	DN [mm]	b1	b2	d5	d6
<b>KMG KHG MKG ENG</b>	4	12	23	7,5	60
	6	12	23	7,5	60
	8	12	23	7,5	60
	10	13,5	23	7,5	65
	12	17,5	31	7	80
	16	17,5	31	7	80
	20	17,5	31	7	80
	25	17,5	31	7	80
	32	24	41	7	100
	40	24	41	7	100
50	24	41	7	100	

**Connection types**  
**2,3,7,8, 40**

BAUREIHEN	DN [mm]	b1	b2	d5	d6
<b>BMG BHG EBG</b>	4	12	23	7,5	60
	6	12	23	7,5	60
	8	12	23	7,5	60
	10	13,5	23	7,5	65
	12	17,5	31	7	80
	16	17,5	31	7	80
20	17,5	31	7	80	
25	17,5	31	7	80	

**Connection types**  
**2,3,7,8,40**